



BIOLAN

SIMPLETT

Instructions for use

Biolan Simplett is a dry toilet to be placed on the floor surface either indoors or outdoors. The operation of the Simplett is based on the separation of solid waste and liquid in the seat part. The toilet requires neither water nor electricity supply.

Keep these instructions for use!

EN

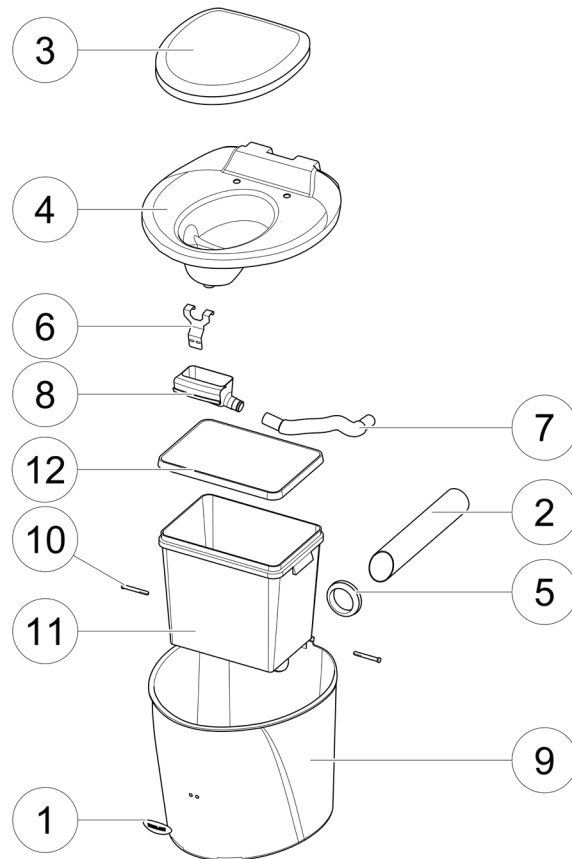
Contents

Component list	2
1. PLANNING AND INSTALLATION	3
1.1 Technical specifications	3
1.2 Year-round use of the toilet	3
1.3 Ventilation	3
1.4 Liquid removal	4
2. USE AND MAINTENANCE OF THE SIMPLETT	4
2.1 Using bulking material	5
2.2 Emptying the inner receptacle	5
2.3 Emptying the liquid tank	5
2.4 Composting solid waste	5
2.5 Cleaning	5
3. PROBLEMS THAT MAY OCCUR	5
3.1 Odour	5
3.2 Insects and maggots	5
Disposal of the product	6
About the guarantee	6



Component list

Component	Denomination	Part No.	Material
1	logotype plate	21570210	RST
2	horizontal ventilation pipe	28704055	PP (not marked)/PVC
3	thermal seat Pehvakka	70578500	PPE
4	toilet tank top	17703070	PE
5	lead-through rubber 75/83	18001001	EPDM
6	bracket for the liquid funnel	21570210	RST
7	flexible liquid pipe	28578010	PE
8	liquid funnel	18703180	PE
9	toilet tank	17703070	PE
10	hinge pin, 2 pcs.	18726240	PE
11	inner receptacle	18703050	PP
12	cover for the inner receptacle	18703060	PP
In addition to the components illustrated in the components picture, the Simplett toilet also includes:			
	ventilation pipe cap, Ø 75 mm	40580007	PE
	Instructions for use	27703180	PAPER



Spare parts sales: dealers

(EN) INSTRUCTIONS FOR USE

1. PLANNING AND INSTALLATION

Install the Biolan Simplett at a level position on the floor. When deciding where to locate the unit, take into account the space required for its ventilation and liquid removal arrangements, as well as its use and maintenance. The unit must be placed so that the top cover of the tank can be opened wide enough to enable easy emptying.

1.1 Technical specifications

- depth 560 mm
- width 525 mm
- sitting height 480 mm
- height 515 mm
- weight 8 kg
- size of the inner receptacle 28 l
- external diameter of the liquid removal pipe 32 mm
- length of the liquid removal pipe 335 mm–935 mm

1.2 Year-round use of the toilet

If you install the Simplett toilet in a warm space, you may use it all year round. Then, its ventilation and liquid removal systems must be insulated in cold spaces, and the liquid removal pipe must be provided with a sufficient gradient to prevent the liquid from freezing in the pipe. If the liquid is collected in a canister, the canister must be emptied in the autumn in order to prevent it from breaking due to the frost. A toilet located in a cold space can be used occasionally during the winter. The Simplett is manufactured of frost-proof materials, so freezing does not damage it.

1.3 Ventilation

Installing the horizontal ventilation pipe

Install the horizontal ventilation pipe (part 2) in the unit. Observe that the end of the pipe must extend to above the inner receptacle to enable the water, that may possibly condense, to flow into the inner receptacle (see Fig. 3).

Leading the ventilation pipe through the rear wall

Leading the ventilation pipe through the rear wall (Fig. 4). Make a lead-trough hole of at least $\varnothing 75$ mm, according to the dimension drawing (Fig. 1) for the horizontal ventilation pipe. The hole to be made in the wall must be located slightly higher than the hole in the unit to prevent the condensed water from remaining in the pipe. Cut the horizontal ventilation pipe to a suitable length so that the angular union used will be connected to the vertical ventilation pipe with a curve as gentle as possible. Make sure that the pipe will be located inside the toilet as shown in Fig. 3.

Extend the horizontal ventilation pipe to above the roof ridge, using a sewer pipe of $\varnothing 75$ mm. The Ventilation Pipe Package, which is designed for the purpose, is available as an accessory from the dealers. A suitable pipe can also be obtained from HVAC stores and well-appointed hardware stores. We recommend using a rounded angular union. Any extra bends in the pipe will impede natural ventilation, and may cause odour problems. If you want, you can improve the ventilation by using the Biolan Wind Fan.

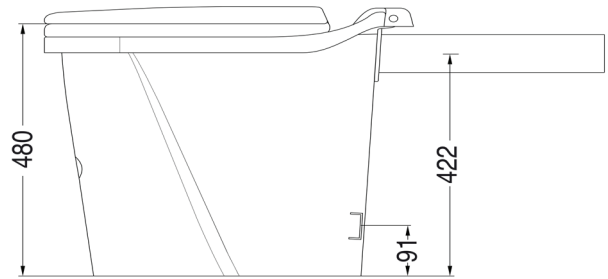


Fig. 1

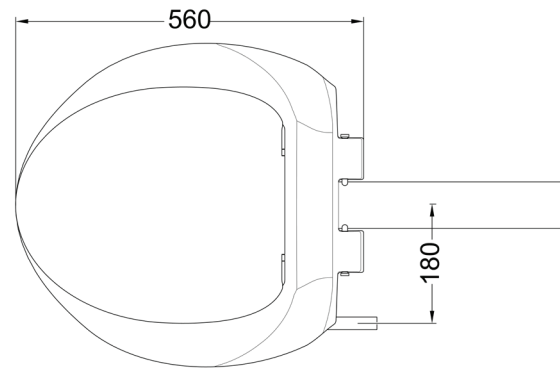


Fig. 2



Fig. 3



Liquids rich in nutrients must not be allowed to enter the soil as they cause an excessively concentrated nutrient load.

Ventilation pipe in the toilet space

The ventilation pipe can also be routed up through the roof inside the toilet space following the instructions above (Fig. 5) The lead-through in the roof can be sealed, for example, using the lead-through set for the roof. The lead-throughs are available as accessories from hardware stores.

1.4 Liquid removal

Installing the liquid funnel and the liquid pipe

Connect the liquid funnel (part 8) to the liquid pipe (part 7), and install the funnel in the bracket (part 6)(Fig. 3) inside the unit. Route the liquid removal pipe by the inner receptacle through the hole in the rear part of the unit. The pipe is flexible, and its length can be adjusted by pulling at the ends.

If the space is not provided with a sewer, make a hole of at least $\varnothing 43$ mm in the rear wall or in the floor for the liquid removal pipe (part 7)(Fig. 4).

EN

Draining the liquid

Route the liquid pipe into a closed canister, tank or the sewer system. Observe, when dimensioning and selecting the location for the liquid tank, that the amount of urine excreted per person and day is about 1–1.5 litres. During installation of the liquid pipe, remember to provide a sufficient gradient (2–3 cm/m) to enable the liquid to flow down without obstruction. Therefore, the hole to be made in the wall must be located lower than the hole in the unit. If you want, you can lay the canister on its side or bury it in the ground.

You can ask your dealer to order the Canister Package and parts for extending the liquid pipe. The pipe can also be extended using sewer pipe parts of $\varnothing 32$ mm. We recommend using connecting sleeves in the joints.

2. USE AND MAINTENANCE OF THE SIMPLETT

The Simplett Dry Toilet shall always be used in the seated position to enable the liquid and the solid matter to be separated.

When using the toilet for the first few times, pay attention to your sitting position to direct the urine in the correct way.

Remember to also instruct your guests on how the toilet should be used.

In addition to the toilet waste, you can also put toilet paper and decomposing facial blotters into the Simplett toilet.

You must not put the following into the toilet:

- sanitary towels, debris
- chemicals, lime
- detergents, washing water
- ash, cigarette butts, matches

2.1 Using bulking material

Applying suitable bulking material is essential for proper operation of the toilet. For bulking material we recommend Biolan Compost and Toilet Bulking Material or Biolan Ground Peat. Before using the toilet, place a layer a couple of centimetres thick on the bottom of the inner receptacle (part 11). Do not add bulking material until after defecation.

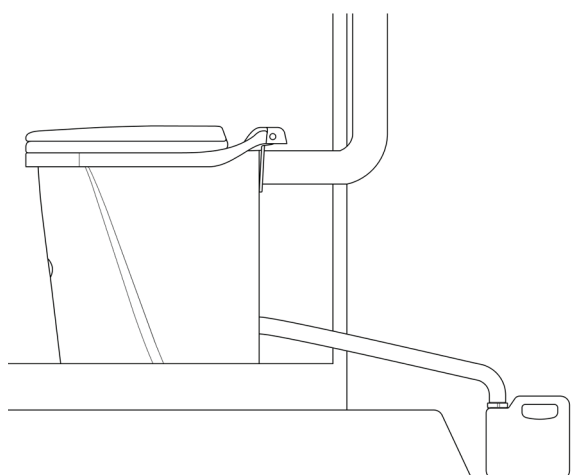


Fig. 4

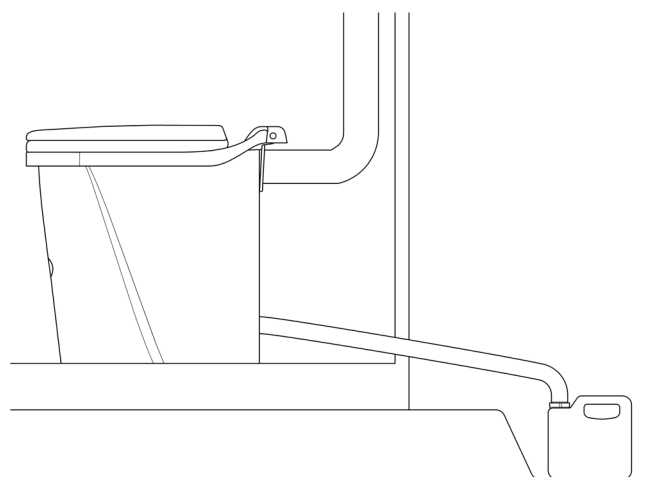


Fig. 5



Please consult your local refuse disposal advisor for regulations on composting.

2.2 Emptying the inner receptacle

When the inner receptacle of the toilet fills up, empty it into the composter. If you use a biodegradable bag inside the receptacle, place the content and the bag separately into the composter in order to intensify the decomposing. You can place a piece of newspaper on the bottom of the receptacle under the bulking material.

2.3 Emptying the liquid tank

Empty the liquid tank, when necessary. In every case, empty it in the autumn in order to prevent it from breaking due to the frost. Urine is very rich in nutrients, especially nitrogen. It can be used in the garden, right away diluted in water in a ratio of 1:5 or as such, after having left it standing for three months.

2.4 Composting solid waste

For the sake of hygiene, the solid toilet waste, emptied from the Simplett dry toilet, must be composted before utilising it in the garden: for at least one year before applying to edible plants, and for about half a year before applying to ornamental plants. You can compost the toilet waste either as such or together with garden waste and domestic waste. While composting, observe the local regulations on waste handling, and consider sufficient protective distances to neighbours, wells and nearby bodies of water. Burying waste in the ground is prohibited. Composting toilet waste always requires a solid composter with a cover. For example, Biolan Garden Composter or Biolan Stone Composter are suitable for the purpose.

2.5 Cleaning

All parts of the Simplett dry toilet can be cleaned using any common domestic cleaning agent. The parts of the toilet can be disassembled, and, if you disconnect the liquid removal and ventilation pipes, you can even take the unit out. Wash the liquid bowl at the top and the liquid funnel (part 8). Flush the liquid pipe (part 7) with warm water and a mild detergent or crystallised sodium at least once a year to remove any precipitate that the urine may have formed.

3. PROBLEMS THAT MAY OCCUR

3.1 Odour

If odour problems occur, check that there is no liquid at the bottom, under the inner receptacle. If there is liquid, check the connections of the liquid pipes, and as required, wash the internal parts of the unit (see point 2.5). You can also prevent the odour problems by pouring a small amount of water into the liquid funnel after each time the toilet is used. Also remember to cover the excrements with a sufficient amount of bulking material.

3.2 Insects and maggots

If flies, for example, appear in the toilet space, empty and wash the inner receptacle and check that the body is clean (see point 2.5). Do away with any flying insects in the toilet space using pyrethrin-based spray. Consult your local dealer to select a suitable product. Also ensure that the ventilation is adequate, and that a sufficient amount of bulking material has been applied.

Disposal of the product

The raw materials used are presented in the component list (see page 4). Dispose of each part as prescribed. Always follow the regional and collecting-point-specific instructions.



To collection of energy waste or recycling of plastic:

PE = polyethylene



To collection of energy waste:

PP = polypropylene



To collection of metal:

RST = stainless steel



To recycling of plastic:

PVC = Polyvinyl chloride

About the guarantee

The Biolan Simplett dry toilet is guaranteed for one year.

1. The guarantee is valid from the date of purchase and covers possible defects in the material and workmanship. The guarantee does not cover any indirect damage.
2. Biolan Oy retains the right to decide upon repairing or replacing damaged parts at its discretion.
3. Any damage resulting from careless or forcible handling of the device, from the failure to observe the operating instructions, or from normal wear, will not be covered by this guarantee.

For matters related to the guarantee, please consult Biolan Oy directly.

EN



BIOLAN

Biolan Oy
P.O. Box 2,
FI-27501 Kauttua, Finland